



Kompan Master Guide

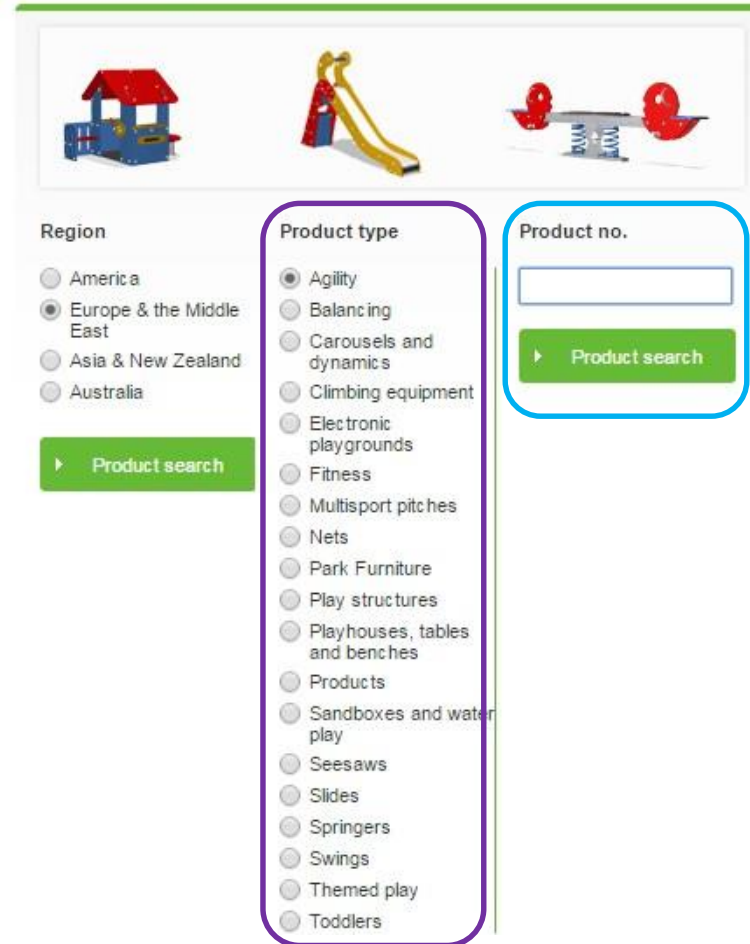
www.kompanmaster.com

Kompanmaster is Technical Library primarily intended for Back office employees, Kompan technicians and Kompan Installers. It's not online commercial tool or official sales web portal. Library contains almost all products in Kompan history including technical documentation. So it's quite unique database containing thousands of documents and pictures. To get correct and valid information from the system is necessary know how to do it.

BSC is responsible for update and maintenance of Kompanmaster. In case of any questions please contact BSC@kompan.com or Kompanmaster@kompan.com

Not sure where to start? You can choose your region and product type below (for larger, modular products choose "Play structures") or enter the product number directly below. The ID label on your product shows the product week and year along with the full product number.

Search for spare parts



Region

- America
- Europe & the Middle East
- Asia & New Zealand
- Australia

Product search

Product type

- Agility
- Balancing
- Carousels and dynamics
- Climbing equipment
- Electronic playgrounds
- Fitness
- Multisport pitches
- Nets
- Park Furniture
- Play structures
- Playhouses, tables and benches
- Products
- Sandboxes and water play
- Seesaws
- Slides
- Springers
- Swings
- Themed play
- Toddlers

Product no.

Product search

1) By Product number on the right


2) By Product type on the left

1) By **Product** number on the right

If you know the product number (or the module number) you can enter it to the right. When you start typing, the page will offer suggestions. The number **MUST** match one of these suggestions.

NOTE: some products / modules have one instruction for several modules. The number will be shown with XX where the numbers vary.

Search for spare parts



Region	Product type	Product no.
<input type="radio"/> America	<input type="radio"/> Agility	<input type="text" value="m101"/>
<input checked="" type="radio"/> Europe & the Middle East	<input type="radio"/> Balancing	M101
<input type="radio"/> Asia & New Zealand	<input type="radio"/> Carousels and dynamics	M101P
<input type="radio"/> Australia	<input type="radio"/> Climbing equipment	PCM101
	<input type="radio"/> Electronic playgrounds	PCM101000
	<input type="radio"/> Fitness	PCM101100
	<input type="radio"/> Multisport pitches	PCM101200
		PCM101300



DID YOU KNOW?

Old products with suffix "P" at the end are made of plastic (HDPE) panels?

SEARCH RESULT

M101P



M101P

Choose date of purchase:

14

Nov

2016

Material: HDPE

Foundation type:

Surface

Other

In-ground



Once you find the parent product you can find exact product type by using exploded menu.

M10100-01P | CRAZY HEN RED

M10100-01P | CRAZY HEN RED

M10100-12P | CRAZY HEN RED

M10106-01P | CRAZY HEN RED HDPE

M10106-11P | CRAZY HEN RED

M10106-12P | CRAZY HEN RED 62CM HD

M10117-01P | CRAZY HEN YELLOW W/45CM

M10119-01P | CRAZY HEN BLUE

M10120-01P | CRAZY HEN GREEN

M10120-12P | CRAZY HEN GREEN 62CM

M10121-12P | CRAZY HEN YELLOW

M10170-01P | CRAZY HEN RED HDPE

M10170-12P | CRAZY HEN RED HDPE

M10171-01P | CRAZY HEN ORANGE HDPE

M10171-12P | CRAZY HEN ORANGE HDPE

M10172-12P | CRAZY HEN YELLOW HDPE

M10173-01P | CRAZY HEN GREEN HDPE

M10173-12P | CRAZY HEN GREEN HDPE

M10174-01P | CRAZY HEN LIGHT BLUE

M10174-12P | CRAZY HEN LIGHT BLUE

FIND SPARE PARTS

You can also enter the date of purchase. This will help you get valid installation instruction for your product type/age.

M101P



M101P

Choose date of purchase:

14 Nov 2016

Year

2016

2015

2014

2013

2012

2011

2010

2009

2008

Material: HDPE

Foundation type:

Surface

Other

In-ground

M10100-01P | CRAZY HEN RED

FIND



DID YOU KNOW?

If you don't know exact age of your product or the chosen year didn't offer any documentation then you can select "Year" in exploded menu instead of today date. Click on refresh button  and the system will give all available documentation from past.

If you are looking for the In-ground version, Surface version, or "Other" type of footing (if available) simply click the "Surface, Other or In-ground" button and hit the refresh button.


M101P



M101P

Choose date of purchase: 14 ▼ Nov ▼ 2016 ▼

Material: HDPE

Foundation type: Surface Other In-ground 

M10100-01P | CRAZY HEN RED ▼

[▶ FIND SPARE PARTS](#)

Product page – SOLITAIRE PRODUCT

Installation instructions - document including all needed info for correct installation.

General instruction - document containing general information about product line, product design or used technical solutions.

Full Package – it's feature that download all the document on page into one pdf document.

TÜV Certificates – Available for all standard active selling products.

Additional documents – Inspection Checklist and Maintenance Manuals.

M10170-12P
CRAZY HEN,RED HDPE 62 CM GROUND ANCHORING, Jun 9th 2008 - ∞



Installation Instruction:

V00160.pdf, jun 9th 2008 - ∞
V1017XXXP-02.pdf, oct 23rd 2013 - ∞

General Instruction:

V00001.pdf, jun 9th 2008 - ∞
V00027.pdf, jun 9th 2008 - ∞

Full package:

Download

Note, the pdf document is generated on-demand, so it might take a while for the download to start.

TUV Certificates:

English, jan 1st 2016 - feb 9th 2021
French, jan 1st 2016 - feb 9th 2021
German, jan 1st 2016 - feb 9th 2021
Spanish, jan 1st 2016 - feb 9th 2021

Additional Documents:

Inspection Checklist Chinese.pdf
Inspection Checklist Croatian.pdf
Inspection Checklist Danish.pdf
Inspection Checklist Dutch.pdf
Inspection Checklist English - AUS.pdf
Inspection Checklist English - EU.pdf
Inspection Checklist English - US+CAN.pdf
Inspection Checklist Finnish.pdf
Inspection Checklist French.pdf
Inspection Checklist German.pdf
Inspection Checklist Greece.pdf
Inspection Checklist Italian.pdf
Inspection Checklist Korean.pdf
Inspection Checklist Norwegian.pdf
Inspection Checklist Romanian.pdf
Inspection Checklist Russian.pdf
Inspection Checklist Spanish.pdf
Inspection Checklist Swedish.pdf
Inspection Checklist Turkish.pdf
Maintenance Manual rev001 - Arabic.pdf
Maintenance Manual rev001 - Chinese.pdf
Maintenance Manual rev001 - Croatian.pdf
Maintenance Manual rev001 - Danish.pdf
Maintenance Manual rev001 - Dutch-Belgian.pdf
Maintenance Manual rev001 - English - AUS.pdf
Maintenance Manual rev001 - English - UK.pdf
Maintenance Manual rev001 - English - US-CAN.pdf

Product page – **PLAY STRUCTURE**

Layout Drawing – Shows overall product with all module numbers, safety zones, product layout and digging plan.

Installation instructions - document including all needed info for correct installation.

General instruction - document containing general information about product line, product design or used technical solutions.

Full Package – it's feature that download all the document on page into one pdf document.

TÜV Certificates – Available for all standard active selling products.

Additional documents – Inspection Checklist and Maintenance Manuals.

NRO1001-1001
TOWER AND CLIMBER , Sep 18th 2012 - ∞



Layout Drawing:

[VNRO1001.pdf, sep 20th 2012 - ∞](#)

Installation Instruction:

[VRO1011XXXXXX-02.pdf, jul 30th 2014 - ∞](#)
[VRO110140XXXX-01.pdf, sep 4th 2015 - ∞](#)
[VRO108005XXXX-03.pdf, dec 4th 2015 - ∞](#)
[VRO1061XXXXXX-01.pdf, may 27th 2016 - ∞](#)
[VRO111140XXXX.pdf, sep 20th 2012 - ∞](#)
[VRO112004XXXX-02.pdf, oct 27th 2016 - ∞](#)
[VRO113010XXXX-01.pdf, oct 27th 2016 - ∞](#)
[VRO113001XXXX.pdf, sep 20th 2012 - ∞](#)
[VRO112015XXXX.pdf, dec 20th 2012 - ∞](#)

General Instruction:

[V00001.pdf, jan 12th 2016 - ∞](#)
[V00069.pdf, jan 12th 2016 - ∞](#)
[V00075A.pdf, aug 23rd 2016 - ∞](#)

Full package:

Download

Note, the pdf document is generated on-demand, so it might take a while for the download to start.

TUV Certificates:

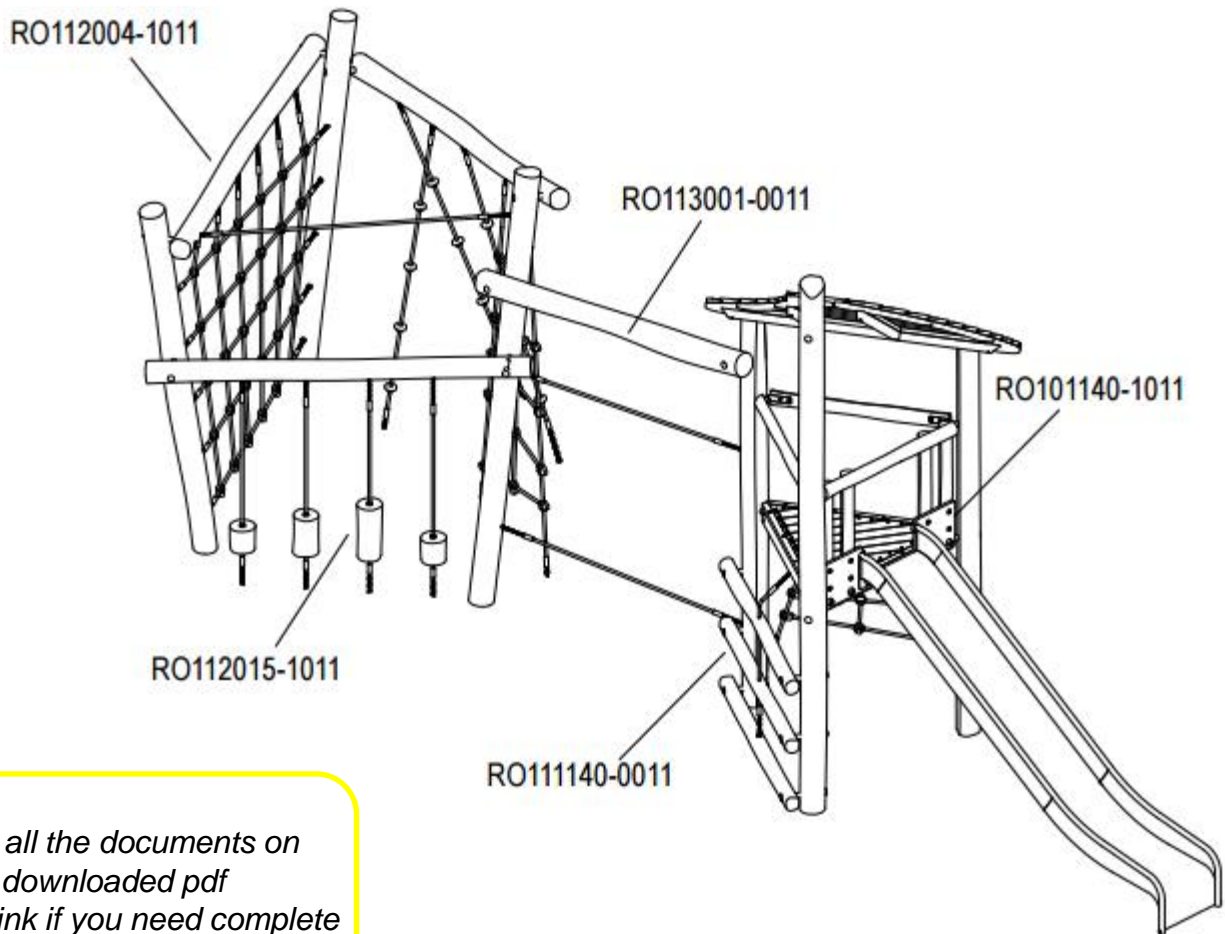
[English, may 6th 2013 - may 6th 2018](#)
[French, may 6th 2013 - may 6th 2018](#)
[German, may 6th 2013 - may 6th 2018](#)
[Spanish, may 6th 2013 - may 6th 2018](#)

Additional Documents:

[Inspection Checklist Chinese.pdf](#)
[Inspection Checklist Croatian.pdf](#)
[Inspection Checklist Danish.pdf](#)
[Inspection Checklist Dutch.pdf](#)
[Inspection Checklist English - AUS.pdf](#)
[Inspection Checklist English - EU.pdf](#)
[Inspection Checklist English - US+CAN.pdf](#)
[Inspection Checklist Finnish.pdf](#)
[Inspection Checklist French.pdf](#)
[Inspection Checklist German.pdf](#)
[Inspection Checklist Greece.pdf](#)
[Inspection Checklist Italian.pdf](#)
[Inspection Checklist Korean.pdf](#)
[Inspection Checklist Norwegian.pdf](#)
[Inspection Checklist Romanian.pdf](#)
[Inspection Checklist Russian.pdf](#)
[Inspection Checklist Spanish.pdf](#)
[Inspection Checklist Swedish.pdf](#)
[Inspection Checklist Turkish.pdf](#)
[Maintenance Manual rev001 - Arabic.pdf](#)
[Maintenance Manual rev001 - Chinese.pdf](#)
[Maintenance Manual rev001 - Croatian.pdf](#)
[Maintenance Manual rev001 - Danish.pdf](#)
[Maintenance Manual rev001 - Dutch-Belgian.pdf](#)
[Maintenance Manual rev001 - English - AUS.pdf](#)
[Maintenance Manual rev001 - English - UK.pdf](#)
[Maintenance Manual rev001 - English - US-CAN.pdf](#)

Product page – PLAY STRUCTURES

The layout pages show you the module numbers so you can easily find instruction for concrete module or order correct spare parts.



DID YOU KNOW?

Full Package – its feature that download all the documents on page into one pdf document. NOTE, the downloaded pdf document can be quite big, so always think if you need complete document or if wouldn't be better to download only Layout and then concrete instruction.

2) By Product type on the left

If you don't have the product number for a Play Structure Product, choose "Play Structures"

On the following page you can select the product line, and type of module you need spare parts for...



DID YOU KNOW?

All standard MODULES can be also found on Kompanmaster. Just use same procedure as when searching for products.

Search for spare parts



Region

- America
- Europe & the Middle East
- Asia & New Zealand
- Australia

▶ Product search

Product type

- Agility
- Balancing
- Carousels and dynamic s
- Climbing equipment
- Electronic playgrounds
- Fitness
- Multisport pitches
- Nets
- Park Furniture
- Play structures
- Playhouses, tables and benches
- Products
- Sandboxes and water play
- Seesaws
- Slides
- Springers
- Swings
- Themed play
- Toddlers

Product no.

▶ Product search

PLAY STRUCTURES



ELEMENS

The only product line with rubber coated steel poles. Including Play360 play structures.

[See more images](#)

Choose module type

[FIND SPARE PARTS](#)



FREEGAME

Play sport equipment - multisport pitches with optional minigoals, basket ball nets and volley nets. The multisport pitches ...

[See more images](#)

Choose module type

[FIND SPARE PARTS](#)



GALAXY

Galaxy play structures are characterized by their transparent and sculptural design.

- Main structure built of galvanized steel parts
- Black ropes, chains and round black rubber connections
- Activities mostly in blue plast.

[See more images](#)

Choose module type

[FIND SPARE PARTS](#)



ICON

Galaxy play structures with built-in electronic games. Same characteristics as for the Galaxy product line.

[See more images](#)

Choose module type

[FIND SPARE PARTS](#)



IMAGINATOR

- IMAGINATOR offers a vast variety of colorful playgrounds and numerous physical play activities as well as different themes for children of all ages.
- With the product line KOMPAN IMAGINATOR as play supporter you will have endless hours of imaginative play and role play.
- KOMPAN IMAGINATOR's designed play structure platform is based on round steel posts with smooth powder coated surfaces and a set of unique aluminum clamps.

[See more images](#)

Choose module type

[FIND SPARE PARTS](#)



KOMPAN FITNESS

KOMPAN outdoor training equipment is made of strong and durable materials suited for severe use in public environments. With the world's most comprehensive range of high quality outdoor training equipment, KOMPAN ensures suitable and effective exercise solutions for teenagers to the elderly, and novices to athletes. KOMPAN offers the best products, service and most value for money, no matter for which user group, location or budget.

- Galvanized or powder coated posts and profiles
- HDPE and EKOGRIP panels

[See more images](#)

Choose module type

[FIND SPARE PARTS](#)



KOMPLAY

- Launched in 2009
- Characteristic design of roof plates
- Panels are mounted on 2 steel crossbeams
- Panels in plast. Floors and steps in coated plywood, which is brown with a grate-like texture
- Traditional slides or tube slides
- Including Komplay multisport pitches.

[See more images](#)

Choose module type

[FIND SPARE PARTS](#)



MOMENTS

- Structures with traditional play modules, such as playhouses, swings, slides, nets, and rope ladders
- Panels in painted plywood or plast.

[See more images](#)

Choose module type

[FIND SPARE PARTS](#)



NATURE

- NATURE playground equipment is the perfect match for green environments, since it fully blends with natural surroundings.
- Made from environmentally friendly 100% FSC™-certified hardwood, NATURE equipment is built to last and vandalism resistant.
- Combining traditional activities, challenging trim trails and adventurous climbing units – NATURE is always a favorite among children.

[See more images](#)

Choose module type

[FIND SPARE PARTS](#)



NEW ROBINIA

- Represents a new way of designing the playground. By taking a unique, holistic approach to creating a play area, we stimulate children's interest in nature and introduce an understanding of nature into their lives.
- Robinia's natural materials and appearance make it ideal for park settings as well as other areas where the surroundings call for natural-looking play equipment. It also fits equally well into urban play environments, where it can create a magical forest right in the city.

[See more images](#)

Choose module type

[FIND SPARE PARTS](#)

EXAMPLE: If you need a new slide module for IMAGINATOR product



IMAGINATOR

- IMAGINATOR offers a vast variety of colorful playgrounds and numerous physical play activities as well as different themes for children of all ages.
- With the product line KOMPAN IMAGINATOR as play supporter you will have endless hours of imaginative play and role play.
- KOMPAN IMAGINATOR's designed play structure platform is based on round steel posts with smooth powder coated surfaces and a set of unique aluminum clamps.

See more images



Choose module type ▼
Choose module type
Access podiums and stairs
Balconies
Barriers and panels
Bridges
Fireman's poles, curly climbers and bannister
Ladders, climbing walls and overhead ladders
Manipulatives
Nets
Playhouses, towers and roofs
Slides
Tables, counters, hammocks and playshells

▶ FIND SPARE PARTS

Search By Product type

The default view is the list view shown here.

SEARCH RESULT

Next >>  

SP116003
Choose date of purchase: 15 Nov 2016
Foundation type: Surface In-ground
SP116003-0630 | SLIDE PLAST H:880 [FIND SPARE PARTS](#)

SP116004
Choose date of purchase: 15 Nov 2016
Foundation type: Surface In-ground
SP116004-0630 | SLIDE PLAST H:1180 [FIND SPARE PARTS](#)

SP116005
Choose date of purchase: 15 Nov 2016
Foundation type: Surface In-ground
SP116005-0630 | SLIDE PLAST H:1480 [FIND SPARE PARTS](#)

SP116103
Choose date of purchase: 15 Nov 2016
Foundation type: Surface In-ground
SP116103-0630 | DOUBLE SLIDE PLAST H:880 [FIND SPARE PARTS](#)

If there is more than 5 modules, you can either click "next" in the upper right to go through the possibilities, or you can choose the grid view, which will show you all possibilities. The grid view shows all available modules:

SEARCH RESULT

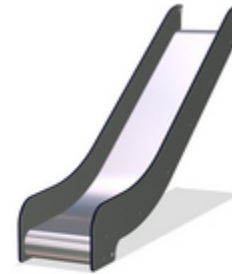
SP116003 **SP116004** **SP116005**

SP116103 **SP116203** **SP116204**

SP116205 **SP116303** **SP116403**

Search By Product type

Two versions of installation instructions are shown on the right. One version was valid for module made between 2012-2015 and the second is for products from 2015-until today.



SP116204-0630
SLIDE STEEL H:1180
Dec 6th 2012 - Feb 4th 2013

Installation instructions:

VSP1162XXXXXX-01.pdf, dec 10th 2015 - ∞
VSP1162XXXXXX.pdf, dec 18th 2012 - dec 9th 2015

Maintenance Manuals:

Inspection Checklist Chinese.pdf
Inspection Checklist Danish.pdf
Inspection Checklist Dutch.pdf
Inspection Checklist English - AUS.pdf
Inspection Checklist English - EU.pdf
Inspection Checklist English - US+CAN.pdf

If you set “year” instead of actual date then you get two instructions. One valid for products made between 2012 – 2015 and second one valid from 2015 – till today.

SP116204

Choose date of purchase: 15 Oct 2019
Foundation type: Surface


SP116204-0630 | SLIDE STEEL H:1180

► Filter

2019
Year
2019
2018
2017
2016
2015
2014
2013
2012



DID YOU KNOW?

If you don't know exact age of your product or the chosen year didn't offer any documentation then you can select “Year” in exploded menu instead of today's date. Click on refresh button  and the system will give all available documentation from past.

Search for Variant (Custom) products

Variant (Custom) products (including the ones created and ordered through P-CON configurator) are also available on Kompanmaster. As soon as you enter XXX-CUSTOM in the Product number field, a new field appears for the ID number of VARIANT PRODUCT.

Product no.

NRO-CUSTOM

Enter ID no.

891432

▶ Product search

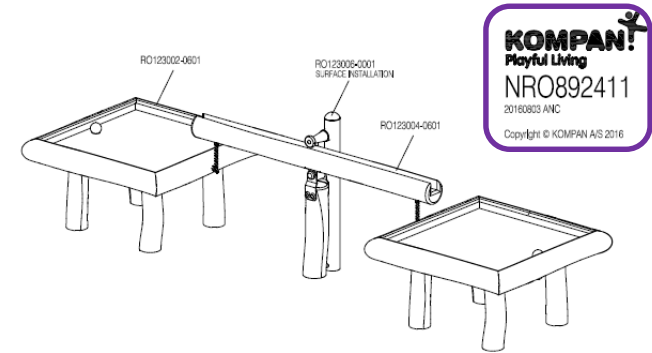
PRODUCT LINE	PRODUCT STANDARD NAME	VARIANT/CUSTOM PRODUCT NAME
Bloqx	BLX	BLX-CUSTOM
Freegame	FRE	FCL-CUSTOM (Freegame CLASSIC) FCO-CUSTOM (Freegame COSMOS) FAS-CUSTOM (Freegame ARENA custom)
Komplay pitch	FRE	FKP-CUSTOM (Freegame custom)
Elements	ELE	ELE-CUSTOM, PLAY360-CUSTOM, EDGE-CUSTOM, FUNKY-CUSTOM
Galaxy	GXY	GXY-CUSTOM
Komplay	KPL	KPL-CUSTOM
Story Makers Toddlers Story Makers Story Makers HCA	MSC	MSC-CUSTOM MSC-CUSTOM HCA-CUSTOM
Corocord	COR	COR-CUSTOM COR-AGILITY-CUSTOM COR-FRAME-CUSTOM COR-SPACE-CUSTOM
Moments	M MPP	MOM-CUSTOM MPP CUSTOM
Fitness	FSW FST FAZ	FSW-CUSTOM FST-CUSTOM FAZ-CUSTOM
Imaginator	GSP	GSP-CUSTOM
Kompan	-	KOMPAN-CUSTOM
Exercise	KPX	X-ERCISE-CUSTOM
Nature	NAT	NAT-CUSTOM
Core Platform MOMENTS	PCM PCMT (Toddler) PCMP(Preschool) PCMS (School age)	PCM-CUSTOM PCMT-CUSTOM PCMP-CUSTOM PCMS-CUSTOM
Core Platform ELEMENTS	PCE	PCE-CUSTOM
Global swings	KSW	KSW-CUSTOM
Robinia	NRO	NRO-CUSTOM

NOTE: Custom products can be seen with some delays caused by software update.

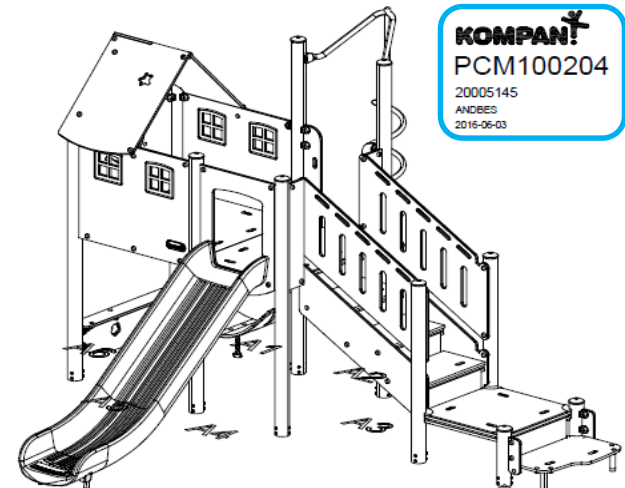
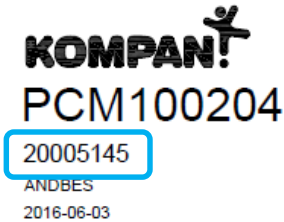
Search for Variant (Custom) products

1) Open layout or instruction to see your Product Variant/Custom number.

a) For products made by VARIANT team use the product variant number.



b) For products made in P-CON configurator use the variant ID number



2) Type this number into search line.

Product no.

NRO-CUSTOM

Enter ID no.

892411

▶ Product search

Search for Variant (Custom) products

3) Standard product page with all available documents will be displayed

NRO-CUSTOM - 892411
NEW ROBINIA VARIANT , Aug 8th 2016 - ∞

NO PICTURE AVAILABLE

Layout Drawing:

VNRO509.pdf, aug 8th 2016 - ∞
VNRO892411.pdf, ∞ - ∞

Installation Instruction:

VRO123002XXXX.pdf, aug 8th 2016 - ∞
VRO123004XXXX.pdf, aug 8th 2016 - ∞
VRO123006XXXX.pdf, aug 8th 2016 - ∞

General Instruction:

V00001.pdf, aug 8th 2016 - ∞
V00069.pdf, aug 8th 2016 - ∞
V00075.pdf, aug 8th 2016 - aug 22nd 2016
V00075A.pdf, aug 23rd 2016 - ∞

Full package:

[Download](#)



DID YOU KNOW?

Also some old MOMENTS (Triaction - TR, MQ and Mosaic - MQA, MQF, MQFA, MQS) and GALAXY custom products, can be found on Kompanmaster. But as these files were imported from an old archive the search method is slightly different.

TR custom products – just type TR1X (TR2X,..up to TR6X) -> depend on number of towers.

MQ custom products - just type MQ1x (MQ2X,up to MQ6X) -> depend on number of towers. Use same pattern for versions MQA,MQF, MQFA, MQS

GXY custom products - just type GXY99 and the system will offer all old GXY custom products

Product no.

TR2xxx
TR2xxxP

Product no.

MQ6xxx

Product no.

GXY99xxxx

Search for TÜV certificates

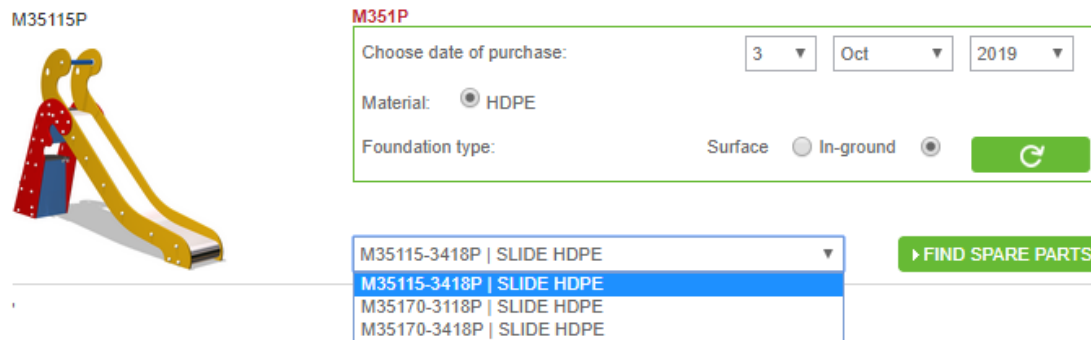
TÜV CERTIFICATES are available only for STANDARD PLAY PRODUCTS. We can't provide TÜV Certificates for MODULES, PARK FURNITURE AND ACCESSORIES (DUST BIN, SCULPTURES,..etc).

To get TÜV certificate for VARIANT/CUSTOM product please contact VARIANT TEAM: CASE@kompan.com.

NOTE: For variant products made in P-CON configurator a certificate from the standard product must be used.

Can't see TÜV certificate on product page?

1) Make sure that you have selected correct (actual) product version



M35115P

M3511P

Choose date of purchase: 3 Oct 2019

Material: HDPE

Foundation type: Surface In-ground

M35115-3418P | SLIDE HDPE

M35115-3418P | SLIDE HDPE

M35170-3118P | SLIDE HDPE

M35170-3418P | SLIDE HDPE

FIND SPARE PARTS




DID YOU KNOW?
KOMPAN Products intended for markets using ASTM F1487 as safety standard are certified under the IPEMA certification program. IPEMA certificates are not on Kompanmaster and must be created by local office. Compliance certificates are to be found on www.ipema.org. Combination system are certified by modules and certificate for entire structure must be generated by listing all certified modules.

Search for TÜV certificates

2) It might happen that current TÜV certificate is outdated (therefore not visible) and we are waiting for new issue. In that case enter a reverse date, for example one year ago, and use the previous TÜV certificate issue. Once we will receive new version, Kompanmaster will be updated.



M35115P



M351P

Choose date of purchase: 3 Oct 2019

Material: HDPE

Foundation type: Surface In-ground

M35115-3418P | SLIDE HDPE

Year
2019
2018
2017
2016
2015
2014
2013
2012

3) Product is new, TÜV certificates were requested but not delivered yet. As soon as we get them we will upload them to Kompanmaster.